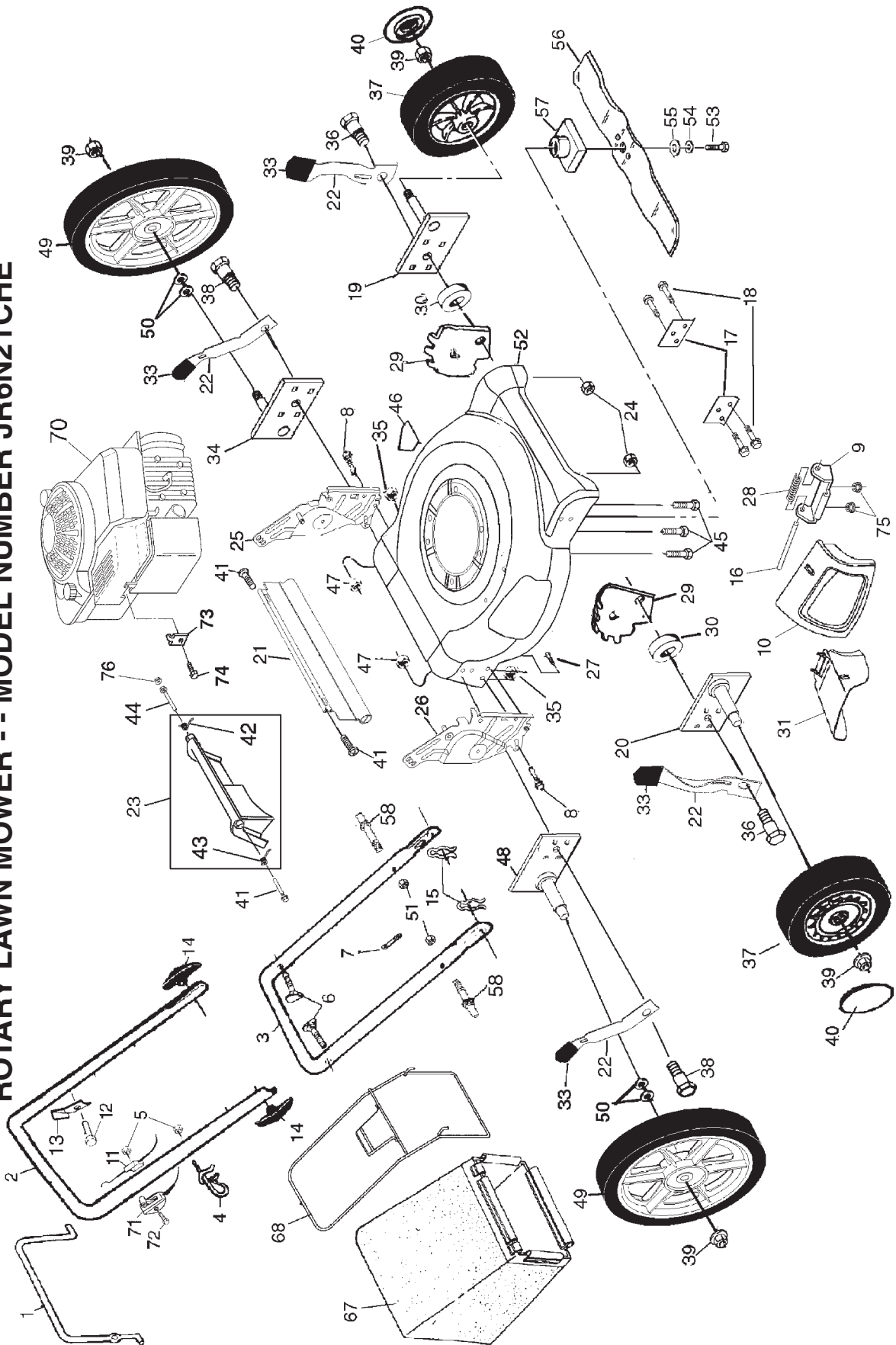


REPAIR PARTS MANUAL
MODEL NO. JR6N21CHE
Rotary Lawn Mower

PARTNER

ROTARY LAWN MOWER -- MODEL NUMBER JR6N21CHE



ROTARY LAWN MOWER -- MODEL NUMBER JR6N21CHE

KEY NO.	PART NO.	DESCRIPTION	KEY NO.	PART NO.	DESCRIPTION
1	532 13 16-96	Control Bar	39	532 08 39-23	Flanged Locknut
2	532 17 76-98	Upper Handle	40	532 07 74-00	Hubcap
3	532 16 45-56	Lower Handle	41	532 08 86-52	Hinge Screw
4	532 17 95-85	Rope Guide	42	532 16 57-66	Spring (LH)
5	532 13 20-04	Locknut 1/4-20	43	532 16 57-67	Spring (RH)
6	532 13 19-59	Handle Bolt	44	532 18 58-19	Door Bolt
7	532 06 64-26	Wire Tie	45	532 15 04-06	Hex Head Thread Rolling Screw 3/8-16 x 1
8	874 78 05-12	Hex Bolt 5/16-18 x 3/4	46	532 14 18-46	Danger Decal
9	532 15 41-32	Hinge Bracket	47	873 80 05-00	Nut
10	532 16 57-54	Mulcher Door	48	532 18 36-62	Axle Arm Assembly - RR
11	532 13 31-07	Engine Zone Control Cable	49	532 18 02-06	Wheel
12	532 75 06-34	Hex Washer Head Screw #10-24 x 1/2	50	532 05 71-43	Wave Washer
13	532 12 51-62	Up-Stop Bracket	51	873 99 05-00	Nut
14	532 13 63-76	Handle Knob	52	532 17 42-70	Housing Assembly (Includes Key #17, 18 & 46)
15	532 05 17-93	Hairpin Cotter	53	532 85 10-84	Hex Head Screw 3/8-24 x 1-3/8 Grade 8
16	532 14 72-86	Hinge Rod	54	532 85 02-63	Helical Lockwasher
17	532 17 41-12	Support Bracket	55	532 85 10-74	Hardened Washer
18	817 60 04-06	Screw	56	532 17 50-64	21" Blade
19	532 16 86-05	Axle Arm Assembly - LF	57	532 85 15-14	Blade Adapter
20	532 16 86-04	Axle Arm Assembly - RF	58	532 16 15-51	Adjustment Bolt
21	532 16 58-58	Rear Skirt	67	532 18 40-19	Grass Bag
22	532 16 85-99	Selector Spring	68	532 18 03-32	Catcher Frame
23	532 16 68-75	Rear Door Assembly Kit (Includes Springs)	70	---	Engine, Briggs & Stratton, Model Number 12H802 (Order parts from engine manufacturer)
24	873 93 05-00	Locknut 5/16-18	71	532 16 69-71	Throttle Control
25	532 18 71-15	Handle Bracket Assembly (Left)	72	532 14 49-29	Screw
26	532 18 71-16	Handle Bracket Assembly (Right)	73	532 11 11-90	Clamp
27	532 85 18-56	Screw 1/4-20 x 3/8	74	532 08 38-16	Screw
28	532 15 21-24	Hinge Spring	75	873 80 04-00	Nut, Hex 1/4-20
29	532 16 57-04	Wheel Adjusting Bracket - Front	76	532 75 11-52	Nut, Hex, Flangelock 1/4-20
30	532 18 39-01	Spacer	--	532 16 10-58	Warning Decal (Not Shown)
31	532 16 57-60	Clip on Discharge Guard	--	532 17 27-82	Operator's Manual(English)
33	532 08 78-77	Selector Knob	--	532 17 27-84	Operator's Manual(Spanish)
34	532 18 36-61	Axle Arm Assembly - LR	--	532 18 70-13	Replacement Parts Manual
35	532 16 67-85	Locknut 5/16-18			
36	532 16 08-28	Shoulder Bolt 5/16-18			
37	532 14 62-47	Wheel Assembly			
38	532 16 43-62	Shoulder Bolt			

NOTE: All component dimensions given in U.S. inches.
1 inch = 25.4 mm

PARTNER